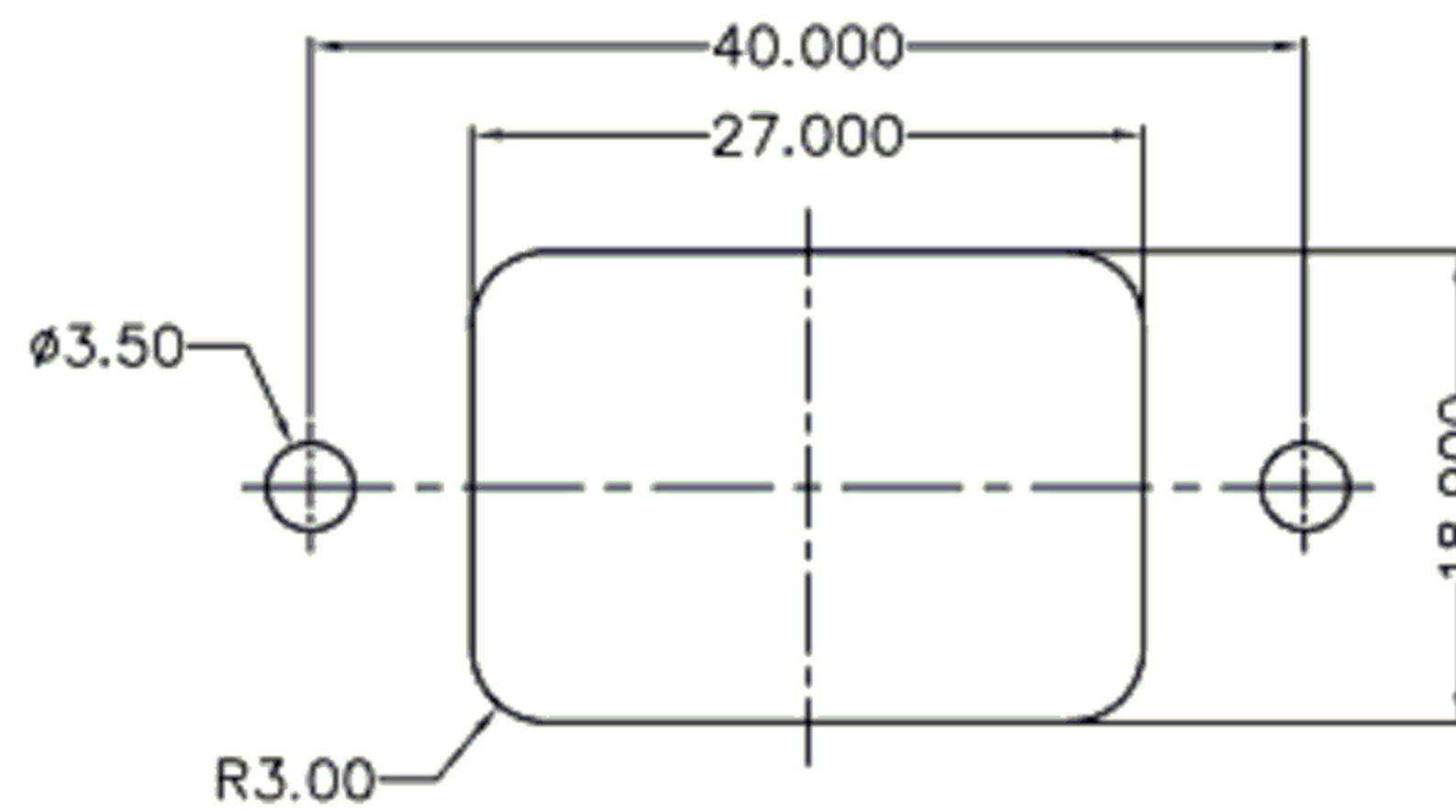
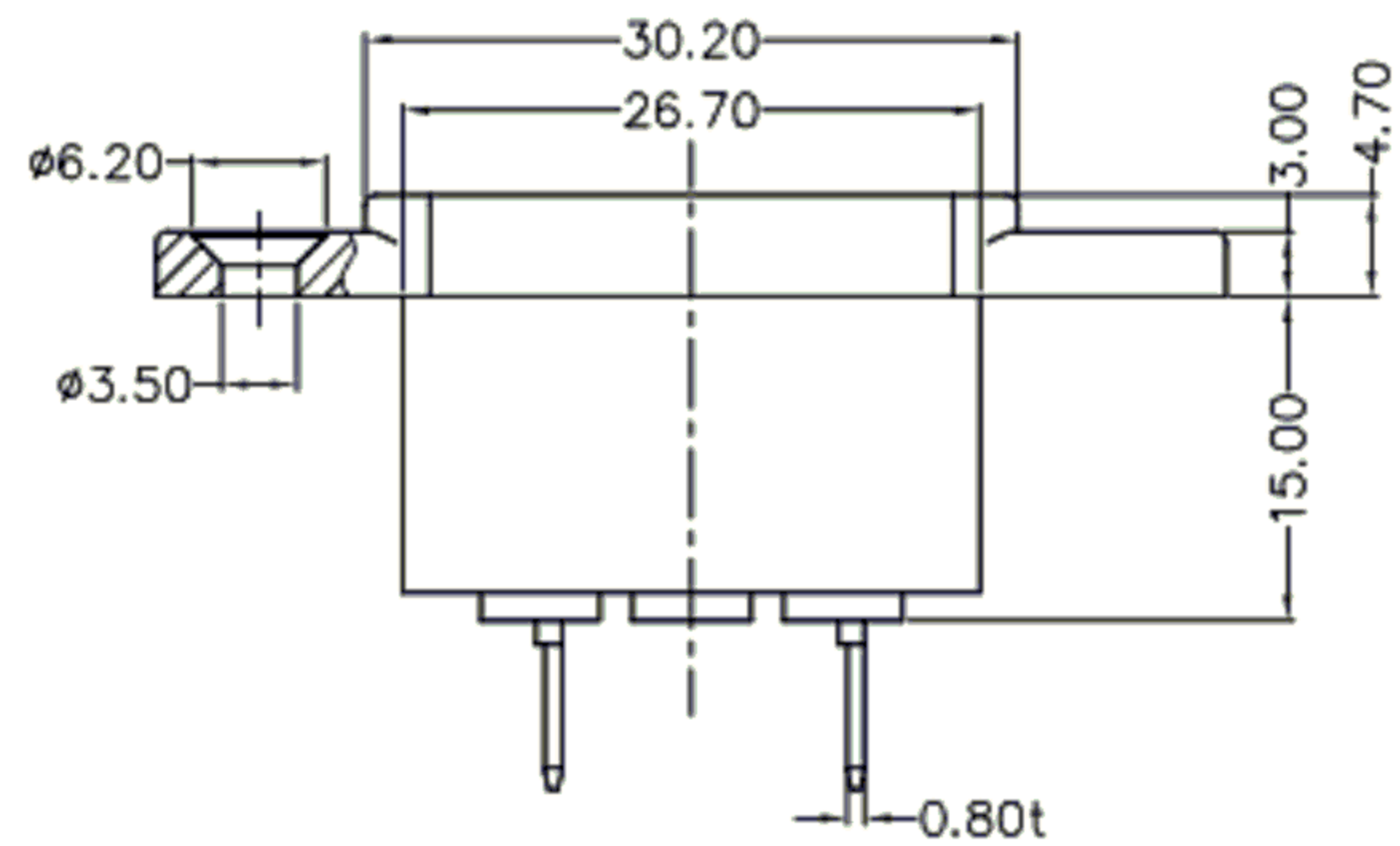
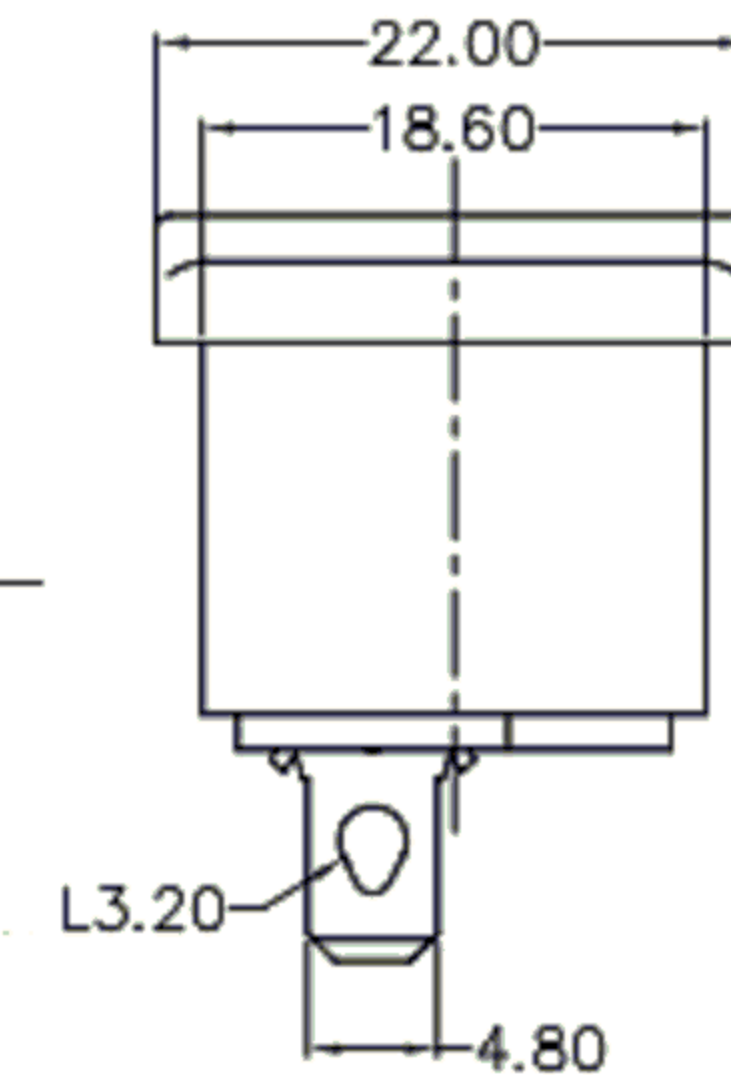
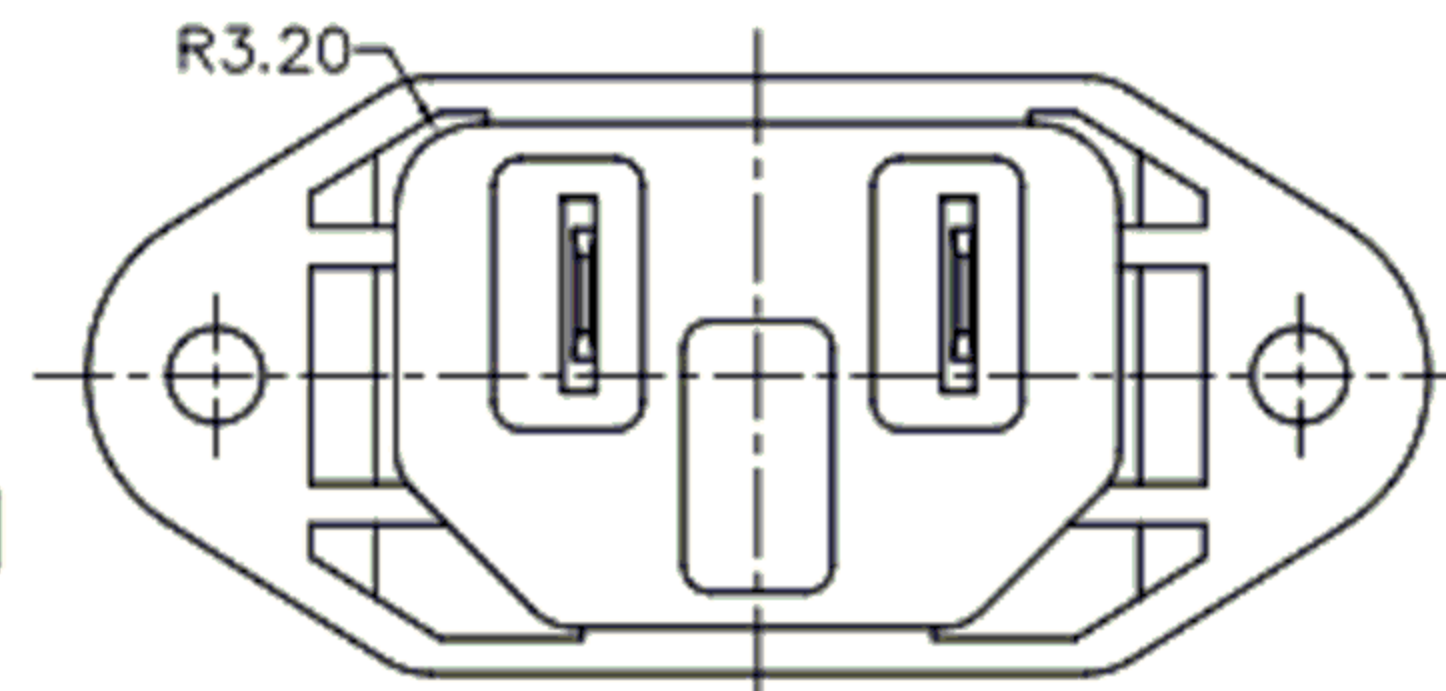
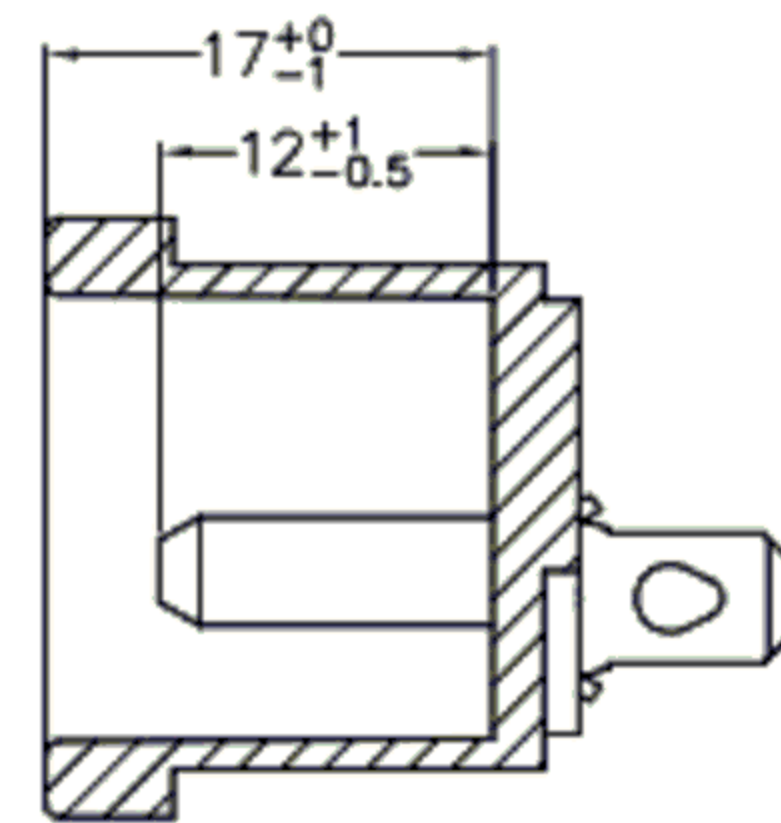


FOR REAR MOUNTING USE
PANEL CUT-OUT



FOR FRONT MOUNTING USE
PANEL CUT-OUT

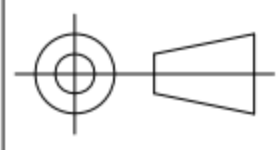


東莞市高迪電子有限公司
DONG GUAN GAO DI ELECTRONICS CO., LTD

TOLERANCE UNLESS
OTHERWISE STATED :

Up to 5 ±0.2
Above 5 ~ 15 ±0.3
Above 15 ~ 30 ±0.4
Above 30 ~ 50 ±0.5
Angle ±0.3°

3RD.
ANGEL'S



UNITS

MM

DRAWN BY: DATE
Ming Ming Zou 10/31/13

CHECKED BY: DATE
Ning Ning Su 10/31/13

APPROVED BY: DATE
Jia Xiang 10/31/13

MAT'L

FINISH

SCALE

SHEET NO.

TITLE

MODLE

DWG NO.

PART NO.

SWITCH

AC POWER SOCKET

GD-BT-18-2A-S7

SIZE
A4
VER
R

ITEM NO. DESCRIPTION DRAWN DATE

A B C D E F G H I J